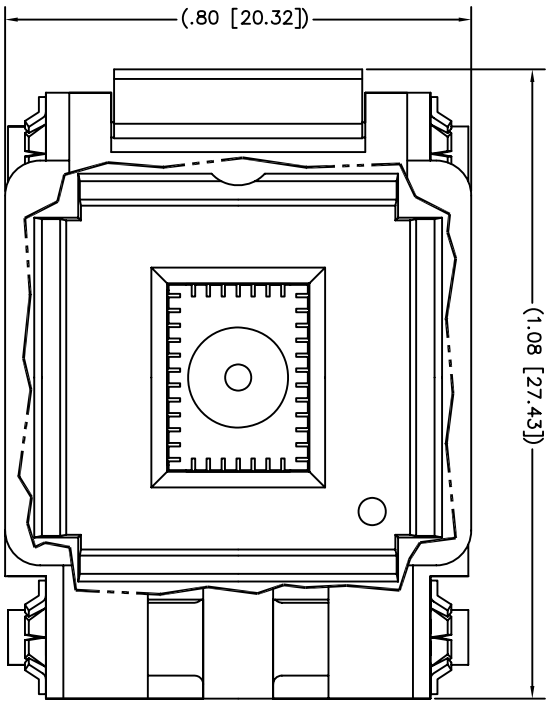
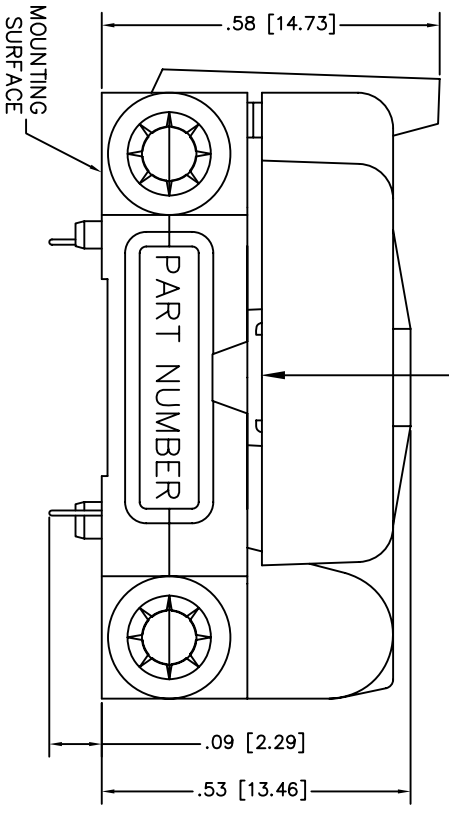


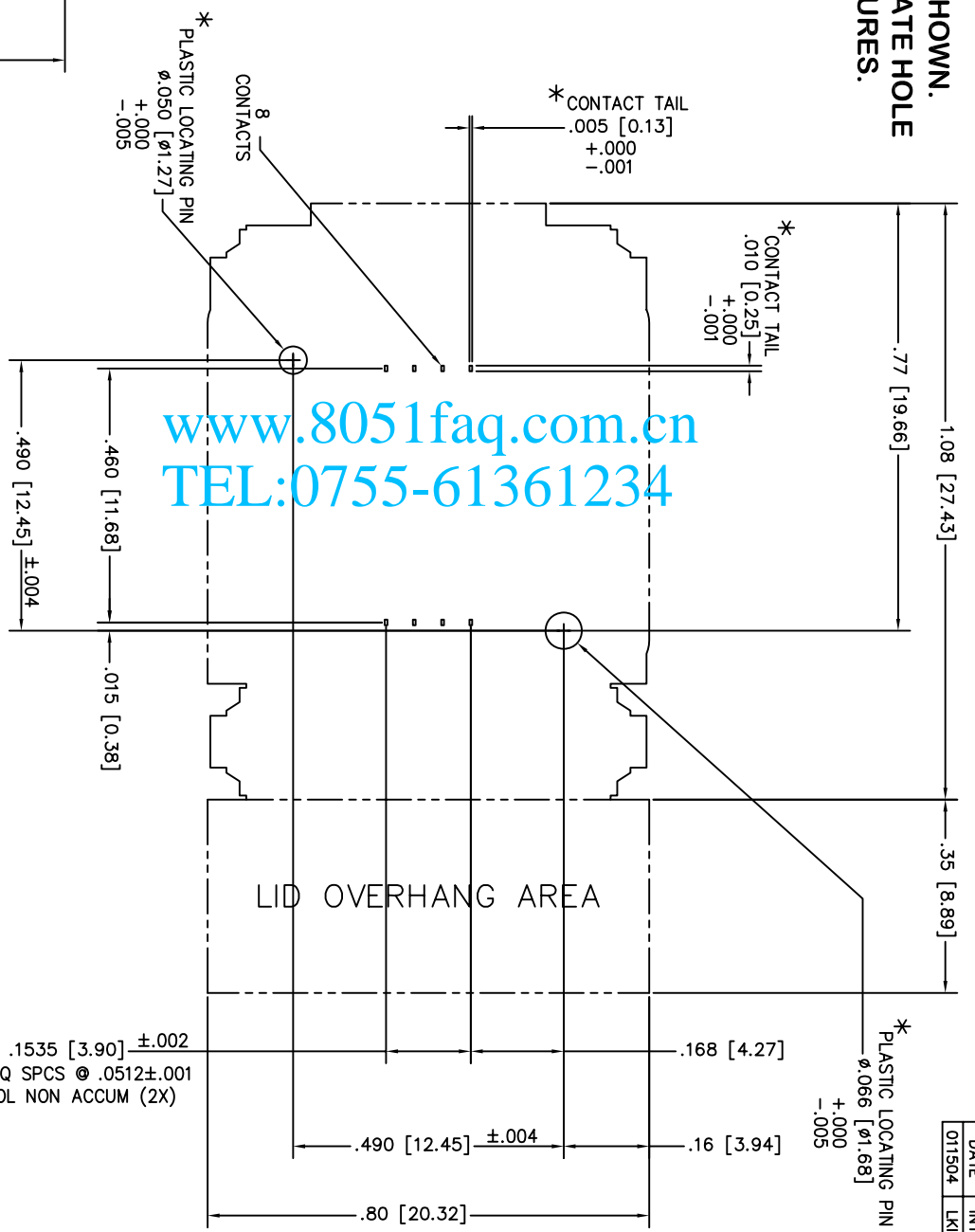
NOTE : * DIMENSIONS OF SOCKET FEATURES SHOWN.
 BOARD DESIGNER SHOULD SELECT APPROPRIATE HOLE
 SIZES TO PROVIDE A SLIP FIT FOR THESE FEATURES.



PLUNGER IS .220 [5.59] X .232 [5.89]
 FOR A .028 [0.70] - .039 [1.00] THICK DEVICE



THIS DRAWING IS SUBJECT TO CHANGE WITHOUT
 NOTICE. PLEASE REQUEST A CURRENT DRAWING
 WHEN LAYING OUT BOARDS.



www.8051faq.com.cn
 TEL:0755-61361234

FOOTPRINT AS VIEWED FROM TOP OF SOCKET

PROPRIETARY

DEPOPULATED FROM :
 38QN65T18060

PART NUMBER
 08TN13A18060

UNLESS OTHERWISE SPECIFIED
 XXX = ±.003 SURFACE
 XX = ±.010 FINISH
 X = ±.015
 ALL DIM ARE IN INCHES
 REMOVE ALL BURNS AND
 SHAPE EDGES

SCALE	NONE	DATE
DRAWN	LKI	060903
CHEK	MAA	060903
ENGR		
APP'D		

TITLE	QFN SOCKET; 8 x 6mm, 1.30mm-PITCH; 8 CONTACTS; THRU-HOLE	SIZE	C	DWG NO.	08TN13A18060	SH	1/1
-------	---	------	---	---------	--------------	----	-----

