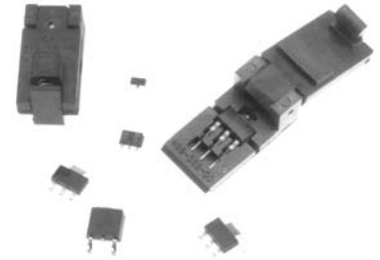
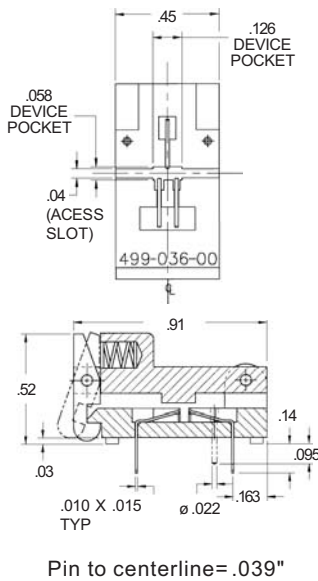


499 Series Surface Mount Family of SOT & TO Device Sockets

- Wide product selection
- Gold contact plating
- High temperature materials
- Low insertion force
- Small outlines for greater board density

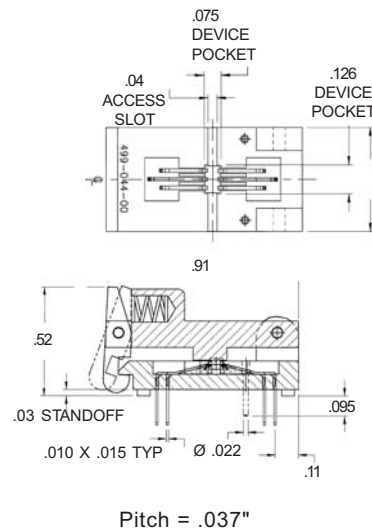


499-P36-10-T0-236-3 Lead SOT-23 Sockets

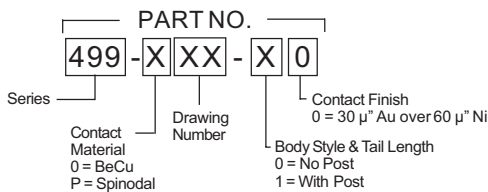


499-P43-10-5 Lead SOT-23 Sockets

499-P44-10-6 Lead SOT-23 Sockets



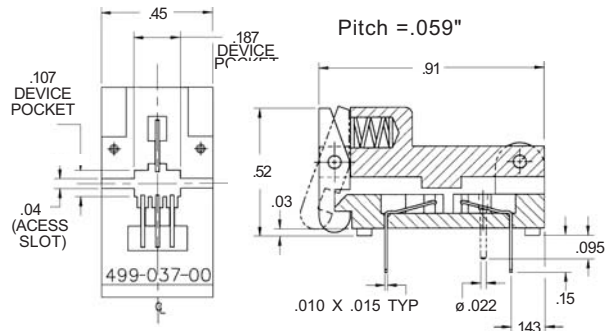
DESCRIPTION & ORDERING INFORMATION



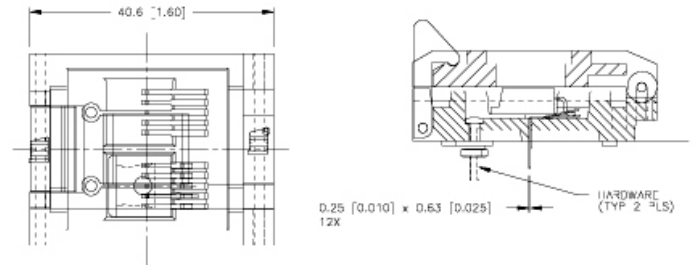
MATERIALS & SPECIFICATIONS

- Socket Body: PPS or Equivalent
- Contact: Beryllium Copper Alloy or Spinodal
- Contact Plating: Gold over Nickel
- Contact Resistance: Less than 10 mΩ
- Dielectric: 1,000V AC (RMS) for 1 minute
- Temperature Rating: -55°C to +155°C
- Current Rating: Exceeds device

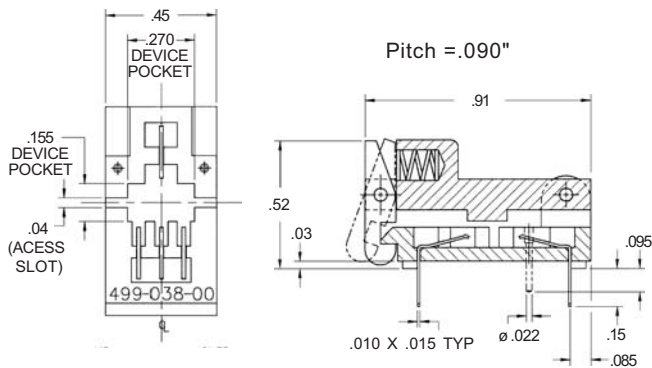
499-P37-10-T0-243-4 Lead SOT-89 Sockets



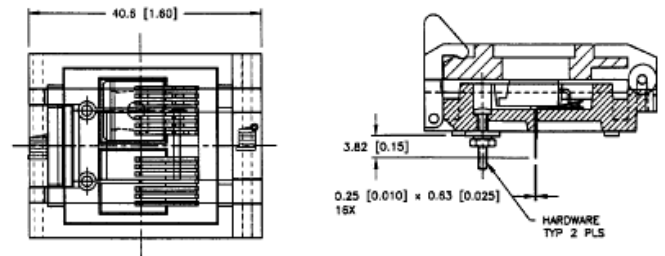
499-042-00-5 Lead T0-263 Sockets



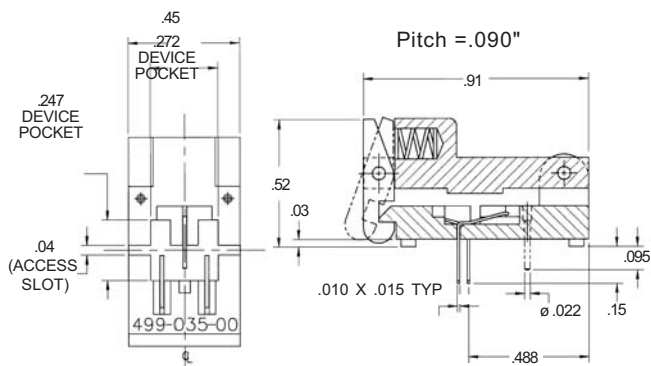
499-P38-10-T0-261-4 Lead SOT-223 Sockets



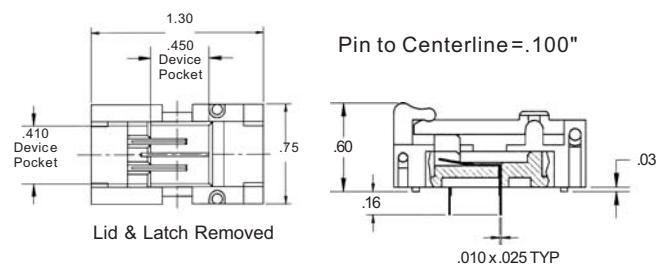
499-041-00-7 Lead T0-263 Sockets



499-P35-10-3 Lead T0-252 (D-Pak) Sockets



Surface Mount SOT Sockets for T0-Style Packages
499-040-00-D² Pak Sockets



All dimensions shown as inches