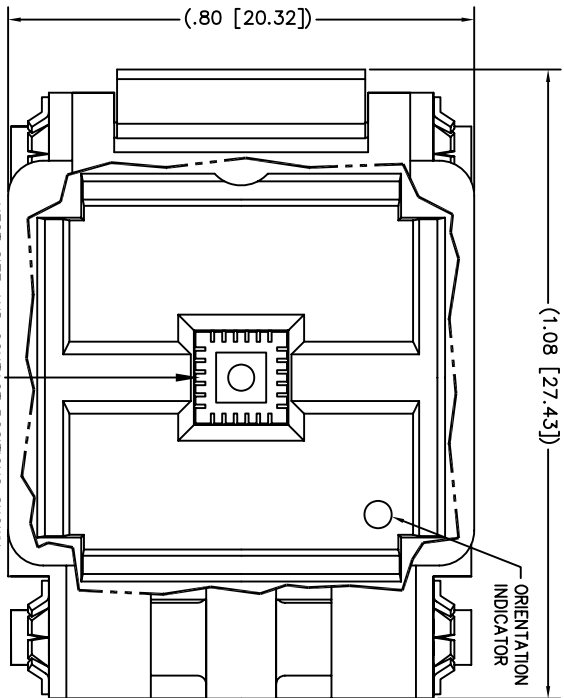
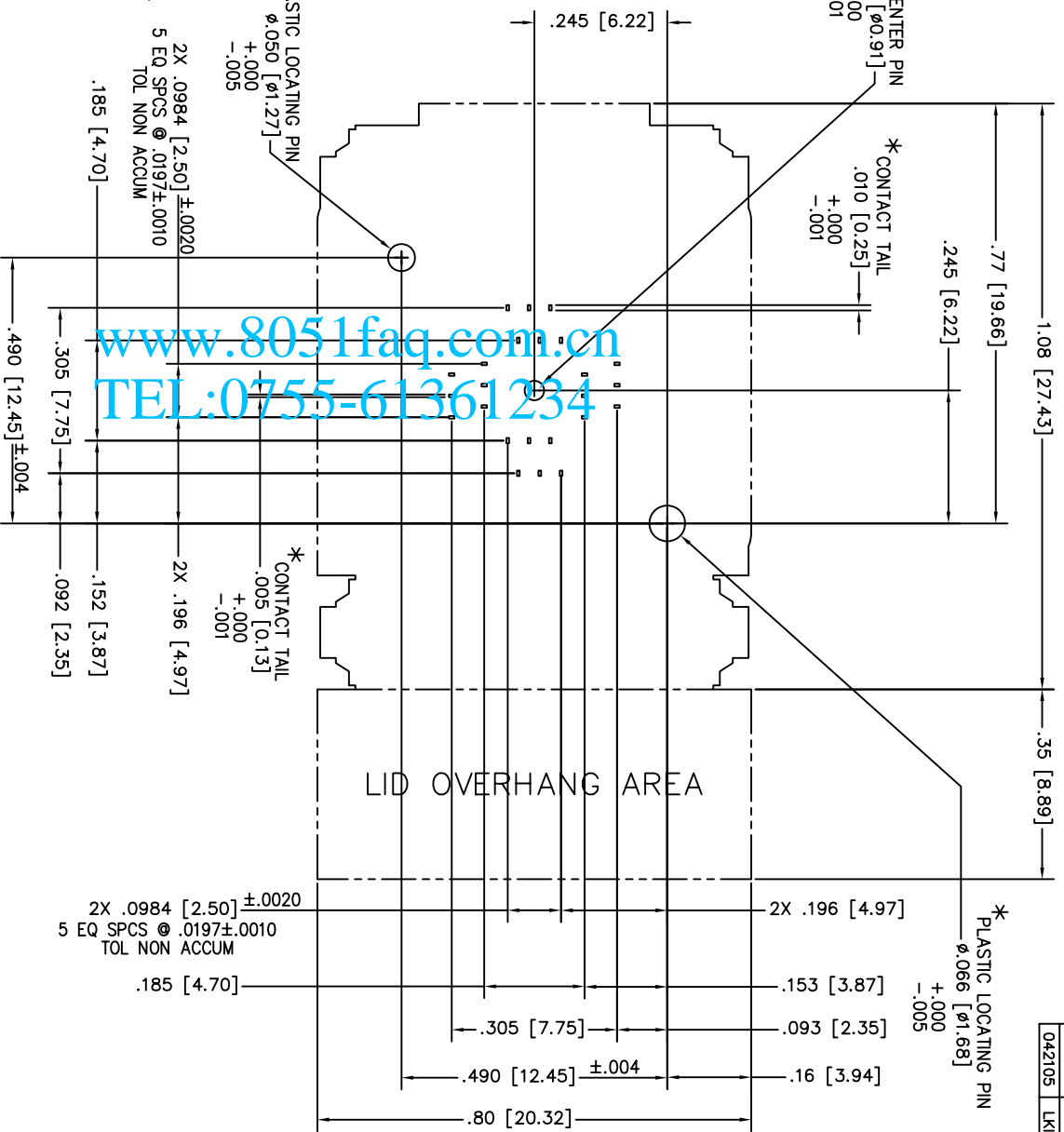
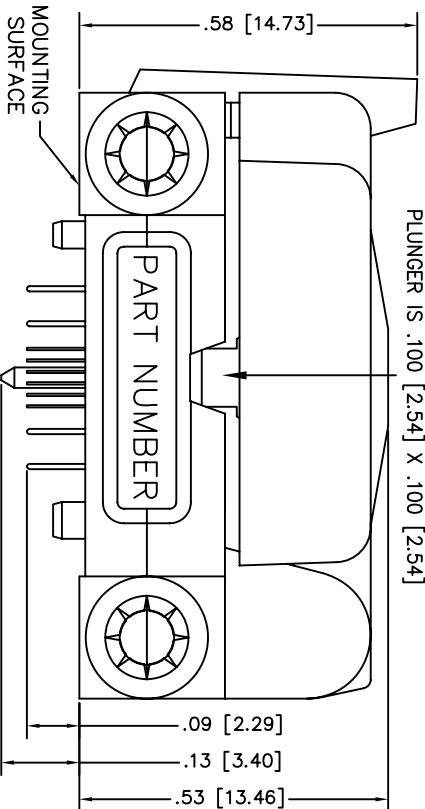
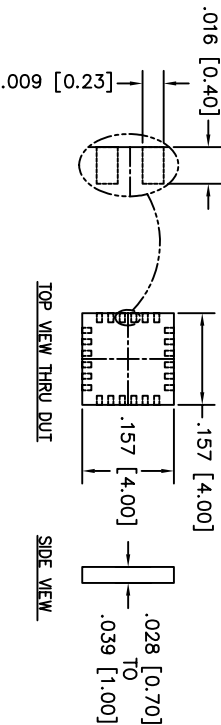


NOTE: * DIMENSIONS OF SOCKET FEATURES SHOWN. BOARD DESIGNER SHOULD SELECT APPROPRIATE HOLE SIZES TO PROVIDE A SLIP FIT FOR THESE FEATURES.



NEST SIZE AND CONTACT POSITIONS SHOWN:
NON-FUNCTIONAL SURFACES FOR REPRESENTATION ONLY



FOOTPRINT AS VIEWED FROM TOP OF SOCKET

www.8051faq.com.cn
TEL:0755-61361234

PROPRIETARY

PART NUMBER
24QN50K14040

SIZE	DWG NO.	SH
C	24QN50K14040	1/1

TITLE
QFN SOCKET;
4 x 4mm, 0.50mm-PITCH;
24 CONTACTS PLUS CENTER PIN;
THRU-HOLE

ASTRONOS 2801 TEXAS DRIVE IRVING, TX 75062

UNLESS OTHERWISE SPECIFIED
XXX = ±.003 SURFACE
XX = ±.010 FINISH
X = ±.015 ANGLE = 45°
ALL DIM ARE IN INCHES
ALL DIM (Ø) ARE MILLIMETERS
REMOVE ALL BURS AND
SHAPE EDGES

SCALE	NONE	DATE
DWN	LKI	042105
CHK		
ENGR		
APP'D		

HOLE TOLERANCES
1.25 THRU 2.00 = +.004 -0.001
1.25 THRU 2.50 = +.005 -0.001
2.51 THRU 5.00 = +.006 -0.001
5.01 THRU 1.00 = +.010 -0.001
1.001 THRU 2.00 = +.012 -0.001

FEATURES - K
= OFFSET CONTACT

THIS DRAWING IS SUBJECT TO CHANGE WITHOUT NOTICE. PLEASE REQUEST A CURRENT DRAWING WHEN LAYING OUT BOARDS.

DATE	INT
042105	LKI